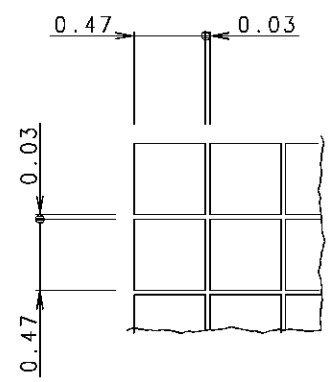
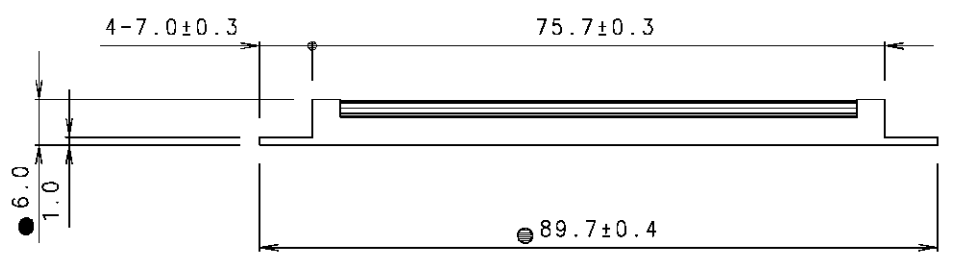
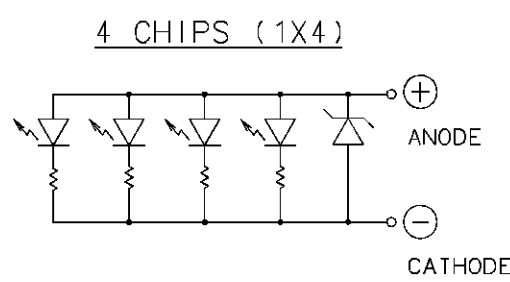


↑
VIEWING
DIRECTION



DOT DETAIL (S=20:1)



PIN ASSIGNMENT CN2	
PIN No.	SYMBOL
1	LED A
2	LED K

CN1 PIN ASSIGNMENT

No.	SYMBOL	No.	SYMBOL	No.	SYMBOL
1	CS1	11	D5	21	C2+
2	RES	12	D6	22	V1
3	A0	13	D7	23	V2
4	WR	14	VDD	24	V3
5	RD	15	VSS	25	V4
6	D0	16	VOUT	26	V5
7	D1	17	C3-	27	VR
8	D2	18	C1+	28	C86
9	D3	19	C1-	29	P/S
10	D4	20	C2-	30	NC

TOLERANCE			
MEASURE	A	B	C
L ≤ 16	±0.1	±0.3	±1
16 < L ≤ 63	±0.2	±0.5	±1.5
63 < L ≤ 250	±0.3	±0.8	±2
250 < L ≤ 500	±0.5	±1.2	±3
500 < L	±0.8	±2	±4
ANGLE	±1°	±5°	±10°

NOTE

- 1.DISPLAY SKEW $|a-b| \leq 0.5$
- 2.DO NOT USE MATERIALS WHICH ARE PROHIBITED BY ROHS.
- 3.THE DIMENSIONS WITH THE MARK (●) ARE CONTROLLED AS A PARTICULAR CHARACTERISTIC.

4)VIEWING DIRECTION: DIRECTION THAT YOU CAN SEE THE DISPLAY MOST CLEARLY.

5)▨SHOWS MAX AREA OF SILICONE RESIN. SILICONE RESIN MUST NOT EXCEED FROM GLASS EDGE AND MUST NOT BE THICKER THAN FRONT POLARIZER.

MATERIAL:		FINISH:	
DATE 2006/06/07	THIRD ANGLE PROJECTION		
APPROVED Toshiyuki Okamoto	SCALE UNIT 1:1 mm		
CHECKED Masami Motohashi	DATE May, 26 '06	TITLE DIMENSIONAL OUTLINE	
DRAWN Wei Huang	DSCN H.Border	DWG NO.(CODE) F-51852AMbase	
		DWG SIZE A3	DWG REV