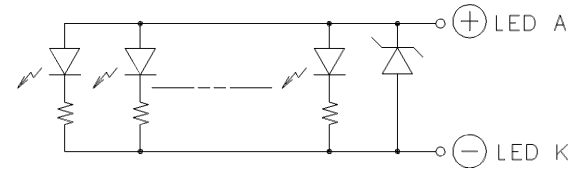
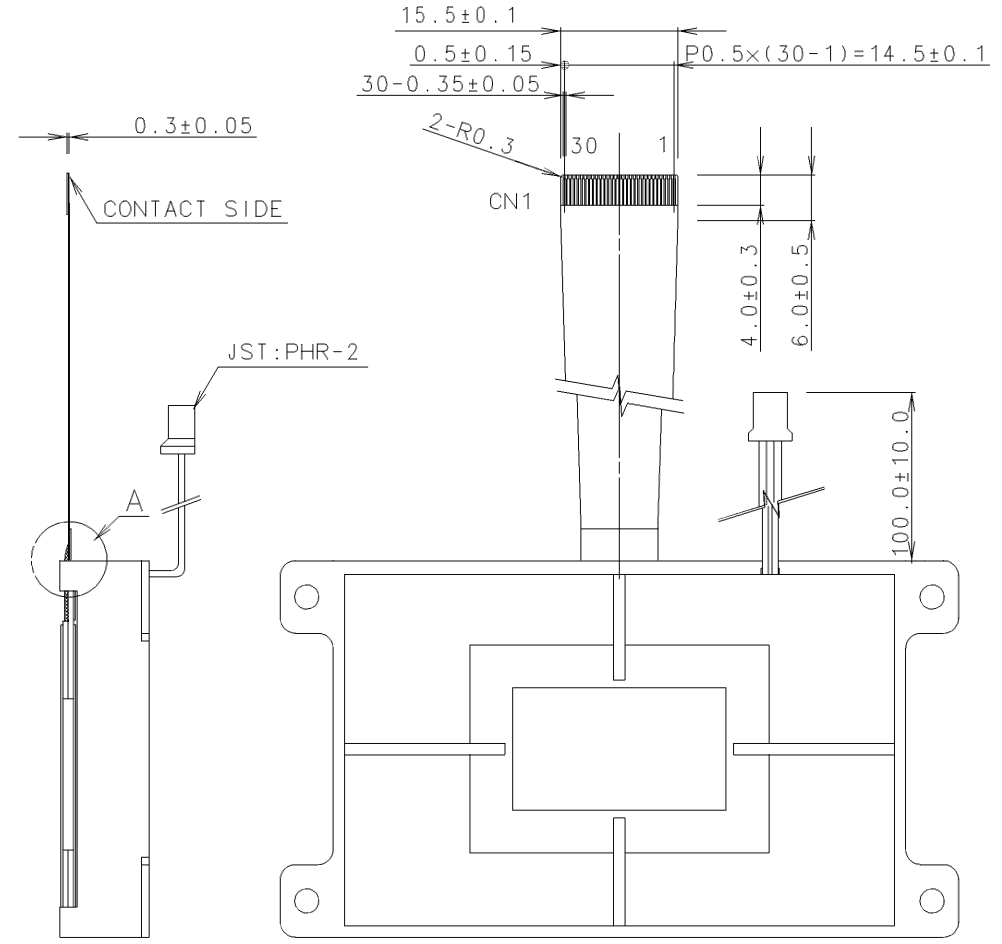
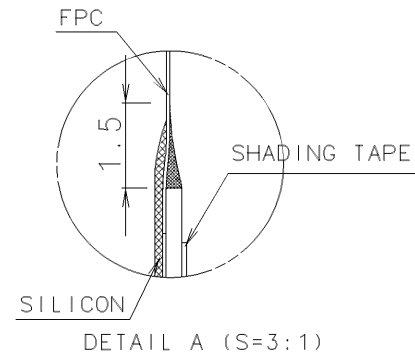
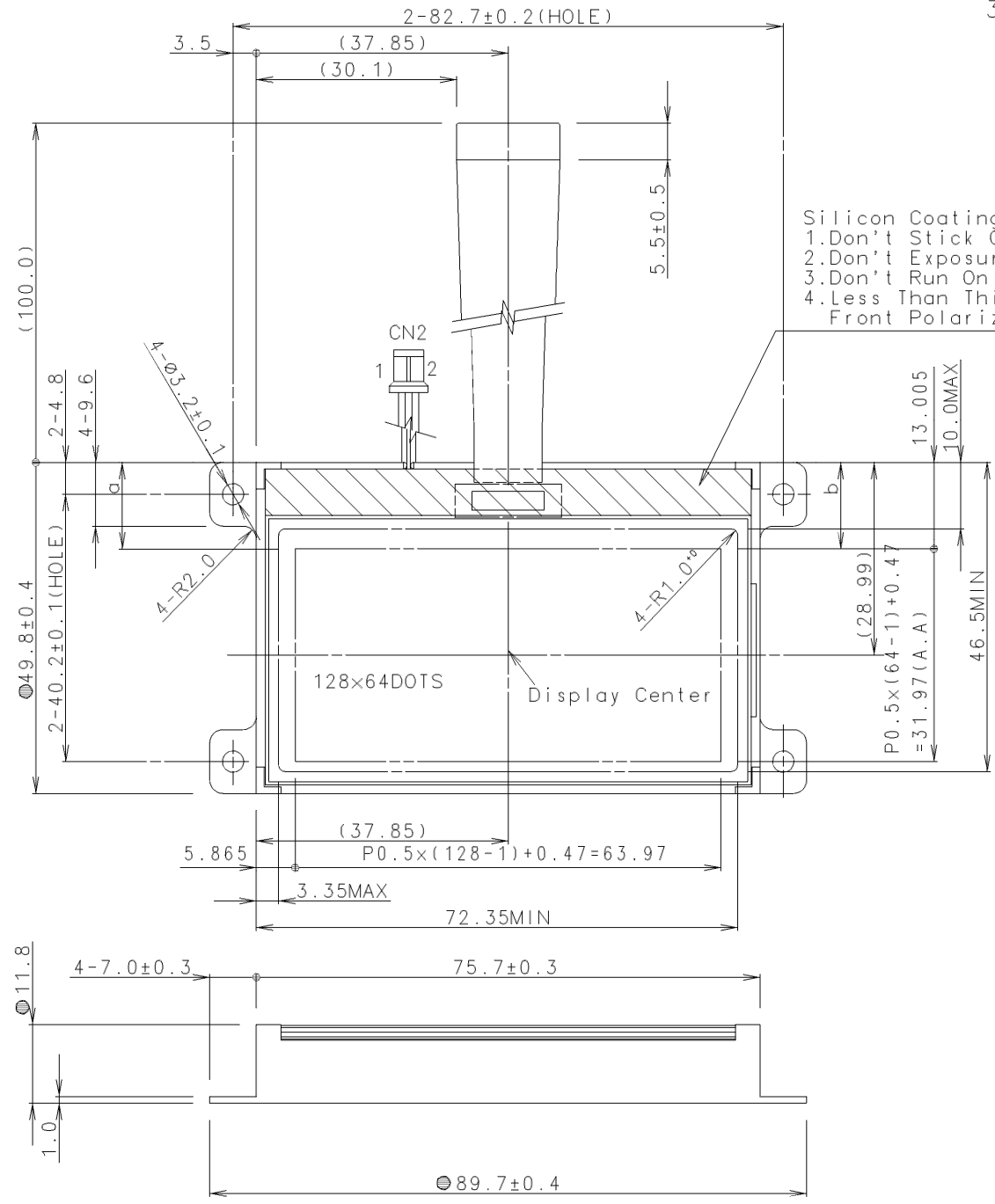


CIRCUIT DIAGRAM



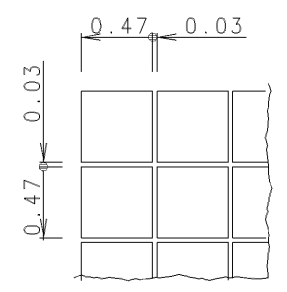
QTY of LED chips
 351852AA/AC : 4chips
 351852AB : 7chips
 351852AG : 12chips



CN1 PIN ASSIGNMENT

No.	SYMBOL	No.	SYMBOL	No.	SYMBOL
1	CS1	11	D5	21	C2+
2	RES	12	D6	22	V1
3	A0	13	D7	23	V2
4	WR	14	VDD	24	V3
5	RD	15	VSS	25	V4
6	D0	16	VOUT	26	V5
7	D1	17	C3-	27	VR
8	D2	18	C1+	28	C86
9	D3	19	C1-	29	P/S
10	D4	20	C2-	30	NC

PIN No.	SYMBOL
1	LED A
2	LED K



DOT DETAIL (S=20:1)

- NOTES
1. Display Skew $|a-b| \leq 0.5$
 2. Do not use materials which are prohibited by RoHS.
 3. The dimensions with the mark (●) are controlled as a particular characteristic.

TOLERANCE			THIRD ANGLE PROJECTION	DATE Feb. 25'05	OPTREX CORPORATION
MEASURE	A	B			
L ≤ 16	±0.1	±0.3	±1	UNIT mm	APPROVED M. MOTOHASHI
16 < L ≤ 63	±0.2	±0.5	±1.5		
63 < L ≤ 250	±0.3	±0.8	±2	SCALE 1:1	CHECKED T. SUZUKI
250 < L ≤ 500	±0.5	±1.2	±3		
500 < L	±0.8	±2	±4		
ANGLE	±1°	±5°	±10°	DRAWN ERASA. TANG	TITLE DIMENSIONAL OUTLINE
					CODE F-51852AA base
					DWG NO UE-312339