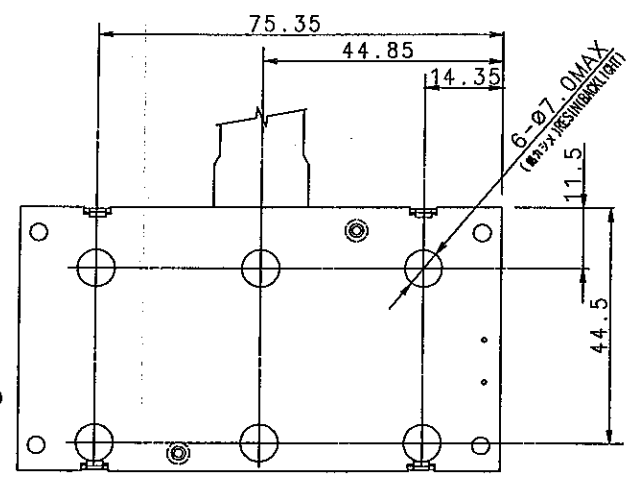
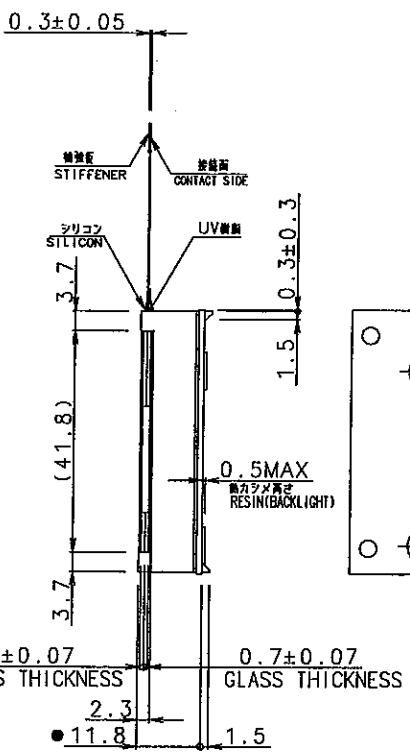
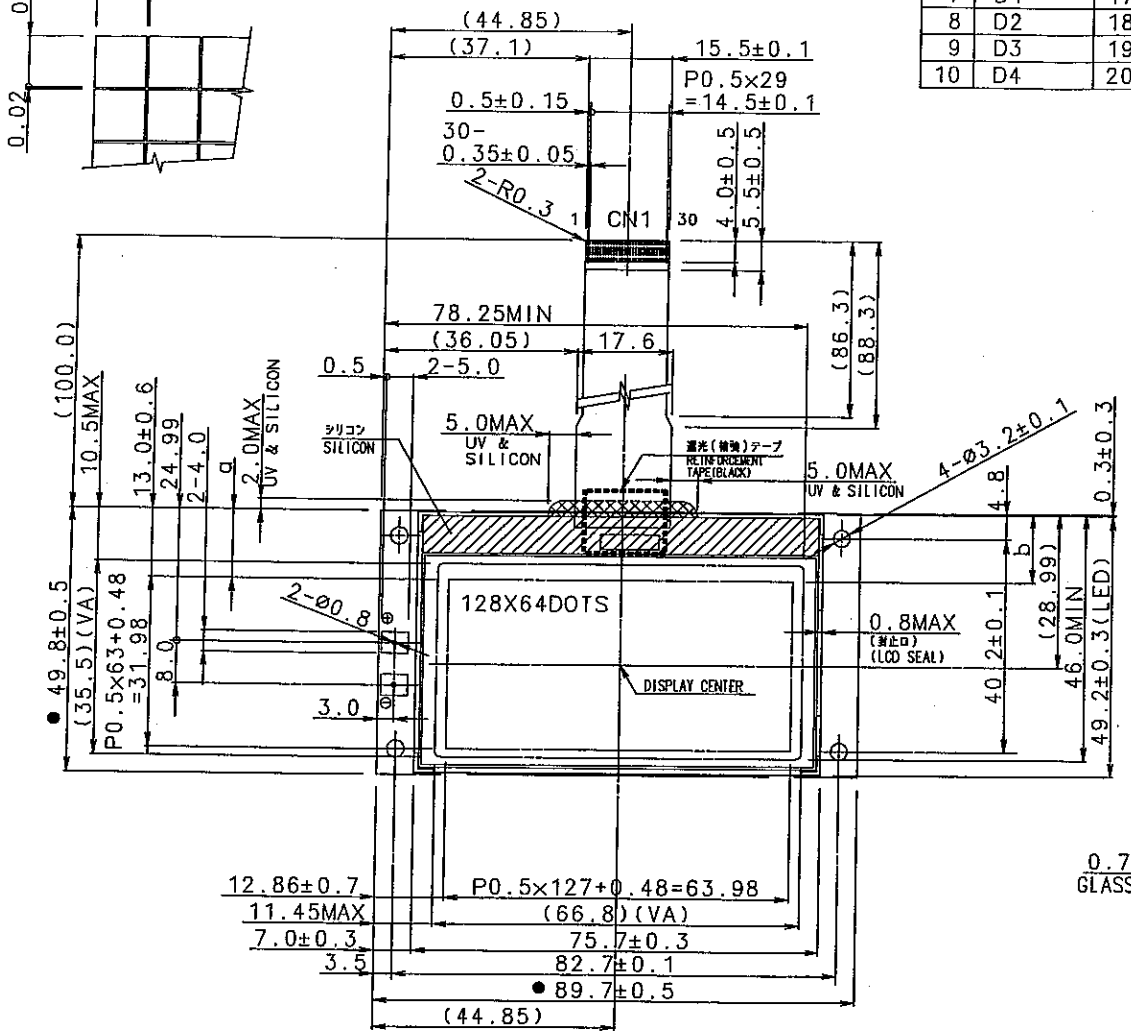
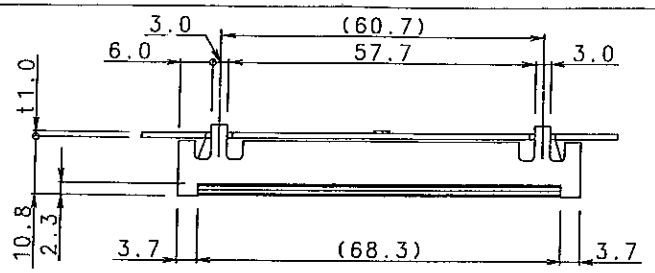
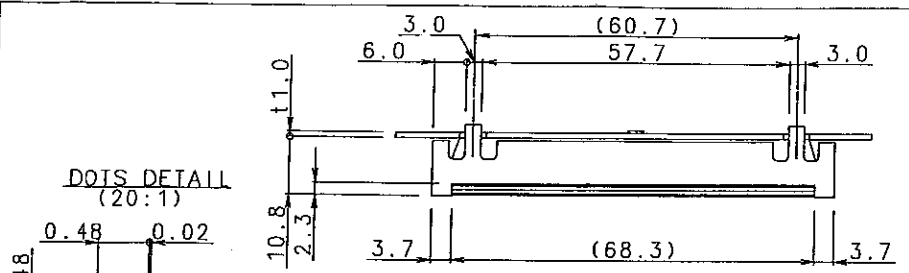


ISSUE	REVISIONS	DRAWN	APPROVED	DATE

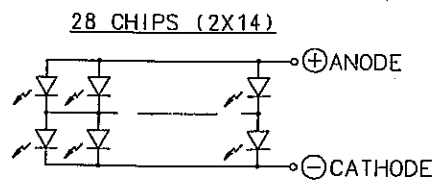
CN1 PIN ASSIGNMENT

No.	SYMBOL	No.	SYMBOL	No.	SYMBOL
1	CST	11	D5	21	CAP2+
2	RES	12	D6	22	V1
3	A0	13	D7	23	V2
4	WR	14	VDD	24	V3
5	RD	15	GND	25	V4
6	D0	16	VOUT	26	V5
7	D1	17	CAP3-	27	VR
8	D2	18	CAP1+	28	C86
9	D3	19	CAP1-	29	P/S
10	D4	20	CAP2-	30	IRS

試作図
02.2.22



注記
NOTE 1. 表示傾き: |a-b| ≤ 0.5 (Display skew)
2. ●印の付いた寸法, 仕様は管理特性の指示を示す。
THE DIMENSIONS WITH THE MARK (●) ARE CONTROLLED AS A PARTICULAR CHARACTERISTIC.



TOLERANCE			THIRD ANGLE PROJECTION	DATE FEB. 20'02	OPTREX CORPORATION
MEASURE	A	B			
L≤16	±0.1	±0.3	±1	UNIT mm	TITLE DIMENSIONAL OUTLINE
16<L≤63	±0.2	±0.5	±1.5	SCALE CHECKED	CODE F-51553GNYJ-LY-AA
63<L≤250	±0.3	±0.8	±2	1:1	DWG NO UE-311170
250<L≤500	±0.5	±1.2	±3	APPROVED T.Okamoto	
500<L	±0.8	±2	±4	CHECKED M.Kinoshita	
ANGLE	±1°	±5°	±10°	DRAWN K.MURAKAMI	